

規格承認書

SPECIFICATION FOR APPROVAL

客戶名稱：
(CUSTOMER) TM&F

客戶料號：
(PART NO) _____

品名規格：
(DESCRIPTION) DFB802524H

送樣日期：
(SENDING DATE) 2009-11-09

客戶簽章： SIGNATURE	永林興電子(深圳)有限公司制作		
	審核： REPORTED BY	確認： CHECK BY	作成： APPROVED BY
	周向阳	吴明峰	谢小青

敬請“客戶簽章”欄簽核後將零件承認書回傳永林興公司，以便後續作業，謝謝！



Y L TECH(HK)CO.

永林興 科技有限公司
YOUNG LIN TECH CO.,LTD.

致宣電子深圳有限公司
ZHI XUAN ELECTRONICS(SHENZHEN)CO.,LTD.

永林興電子(深圳)有限公司
YONG LIN XING ELECTRONICS(SHENZHEN)CO.,LTD.

ISO9001 (2000)

ISO14001

CERTIFIED SUPPLIER

<http://www.ylfc.cn>

SPECIFICATION FOR APPROVAL

.

TO: TM&F	SAMPLE ISSUE NO.:YLM0091126-1
MODEL: DFB802524H	SAMPLE ISSUE DATE: 2009-11-09
PART NAME: DC FAN(RoHS)	SAMPLE QTY: 6PCS
	REV: 0

1. SCOPE:

THIS SPECIFICATION DEFINES THE ELECTRICAL AND MECHANICAL CHARACTERISTICS OF THE DC BRUSHLESS FAN.THE FAN MOTOR IS WITH TWO PHASES AND FOUR POLES.

2. CHARACTERS:

ITEM	DESCRIPTION
RATED VOLTAGE	24 VDC
OPERATION VOLTAGE	17~28VDC
STARTING VOLTAGE	17VDC(ON/OFF)
INPUT CURRENT	0.13±0.02A
SPEED (10 MINUTE/ ROOM TEMPERATURE 25°C)	3500 RPM±10%
AIR FLOW (AT ZERO STATIC PRESSURE)	44.31CFM
AIR PRESSURE (AT ZERO AIRFLOW)	3.94mmH ₂ O
ACOUSTICAL NOISE (AVG.)	36.55dB-A
SAFETY TYPE	UL TUV

(Continued)

YOUNG LIN TECH CO., LTD,

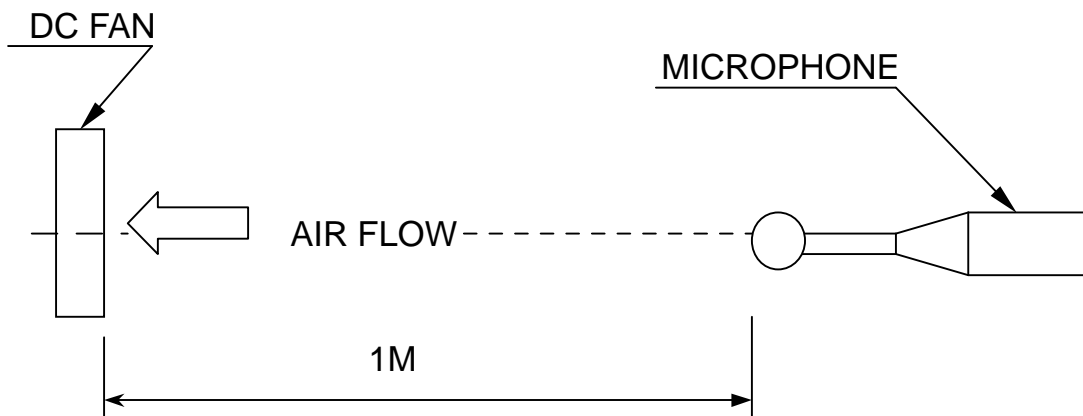
MODEL: DFB802524H

INSULATION STRENGTH	10 MEG OHM MIN. AT 500 VDC (BETWEEN FRAME AND (+) TERMINAL)
DIELECTRIC STRENGTH	5 mA MAX. AT 500 VAC 60 Hz ONE MINUTE, (BETWEEN FRAME AND (+) TERMINAL)
LIFE EXPECTANCE	50,000 HOURS CONTINUOUS OPERATION AT 25°C WITH 15~65 %RH.
ROTATION	WIDDERSHINS VIEW FROM FRAME PLATE SIDE
OVER CURRENT SHUT DOWN	INAPPLICABILITY
LEAD WIRE	UL 1007-AWG #26 BLACK BLACK : (-) RED RED : (+)

NOTES: 1. ALL READINGS ARE MEASURED AFTER STABLY WARMING UP THROUGH 10 MINUTES.

2. THE VALUES WRITTEN IN PARENS, ARE LIMITED SPEC.

3. ACOUSTICAL NOISE MEASURING CONDITION:



NOISE IS MEASURED AT RATED VOLTAGE IN FREE AIR IN ANECHOIC CHAMBER WITH B & K SOUND LEVEL METER WITH MICROPHONE AT A DISTANCE OF ONE METER FROM THE FAN INTAKE

YOUNG LIN TECH CO., LTD,

MODEL: DFB802524H

3. MECHANICAL:

- 3-1. DIMENSIONS — — — — — SEE DIMENSIONS DRAWING
- 3-2. FRAME — — — — — PLASTIC UL: 94V-0
- 3-3. IMPELLER — — — — — PLASTIC UL: 94V-0
- 3-4. BEARING SYSTEM — — — — — TWO BALL BEARING
- 3-5. WEIGHT — — — — — 64 GRAMS

4. ENVIRONMENTAL:

- 4-1. OPERATING TEMPERATURE — — — — — -10 TO + 70 DEGREE C
- 4-2. STORAGE TEMPERATURE — — — — — -40 TO + 75 DEGREE C
- 4-3. OPERATING HUMIDITY — — — — — 5 TO 90 % RH
- 4-4. STORAGE HUMIDITY — — — — — 5 TO 95% RH

5. PROTECTION:

- 5-1. DROP TEST
IN MINIMUM PACKAGING CONDITION FAN WITHSTANDS EACH ONE DROP OF THREE FACES FROM 30 CM DISTANCE HEIGHT ONTO 10 MM THICKNESS OF WOODEN BOARD.
- 5-2. LOCKED ROTOR PROTECTION
IMPEDANCE OF MOTOR WINDING PROTECTS MOTOR FROM FIRE IN 15 MINUTE OF LOCKED ROTOR CONDITION AT THE RATED VOLTAGE.

6. RE OZONE DEPLETING SUBSTANCES;

- 6-1.RESTRICTION SUBSTANCES OF SAMPLE ARE AS FOLLOWS:
 Pb(PPM)<1000 Cd(PPM)<100 Hg(PPM)<1000
 Cr6+ (PPM)<1000 PBBs (PPM)<1000 PBDEs (PPM)<1000

YLTC	Research & Development Department		
	Approved BY: 周向阳	Checked BY: 吴明峰	Prepared BY: 谢小青

IMPORTANT NOTES & GENERAL INSTRUCTIONS

1. Any item which is needed to add into specification shall be determined on customer's prior written request. If no information given , fan will be delivered based on our standard judgment.

2. Customer shall confirm the matching and reliability of fan on actual set or unit application.

This include confirmation on set or unit life, electrical noise, mechanical noise, Vibration static electricity ,electric power noise ,drift ,electric resonance between motor and control circuit ,mechanical resonance between motor and chassis, irregular movement of set due to motor noise ,irregular movement of set in strong electromagnetic field ,damaged by lightning surge earthing method etc

3. In order to improve the performance within the scope of specification, parts or material changes are subject to prior notice to customer.

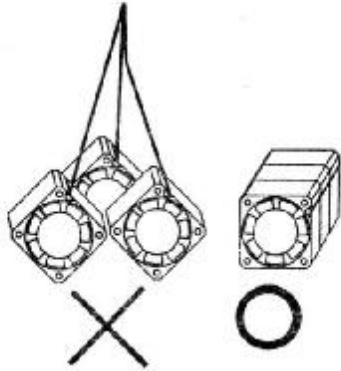
4. Any revisions on the specification shall be done based on mutual discussion and agreement.

5. When any trouble occurs, both parties shall discuss on this specification to solve the matters. In this case, our guarantee is only limited to fans

風扇使用注意事項

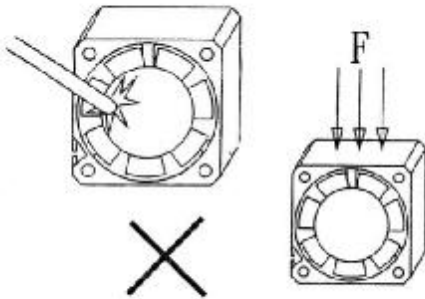


HOW TO HANDLE FAN PROPERLY?



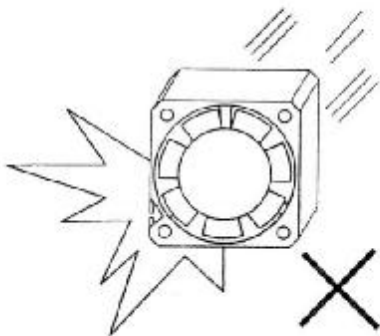
1. 取用風扇, 輕取外框兩側, 不可拉扯導線.

1. Hold the fan by frame side. Do not hold lead wires to support the fan.



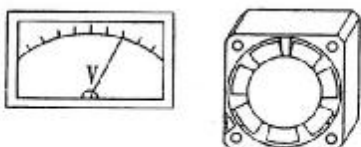
2. 取用風扇, 不可碰觸或擠壓扇葉與外框.

2. No touching or pressing on the impeller hub. Avoid crushing the frame side.



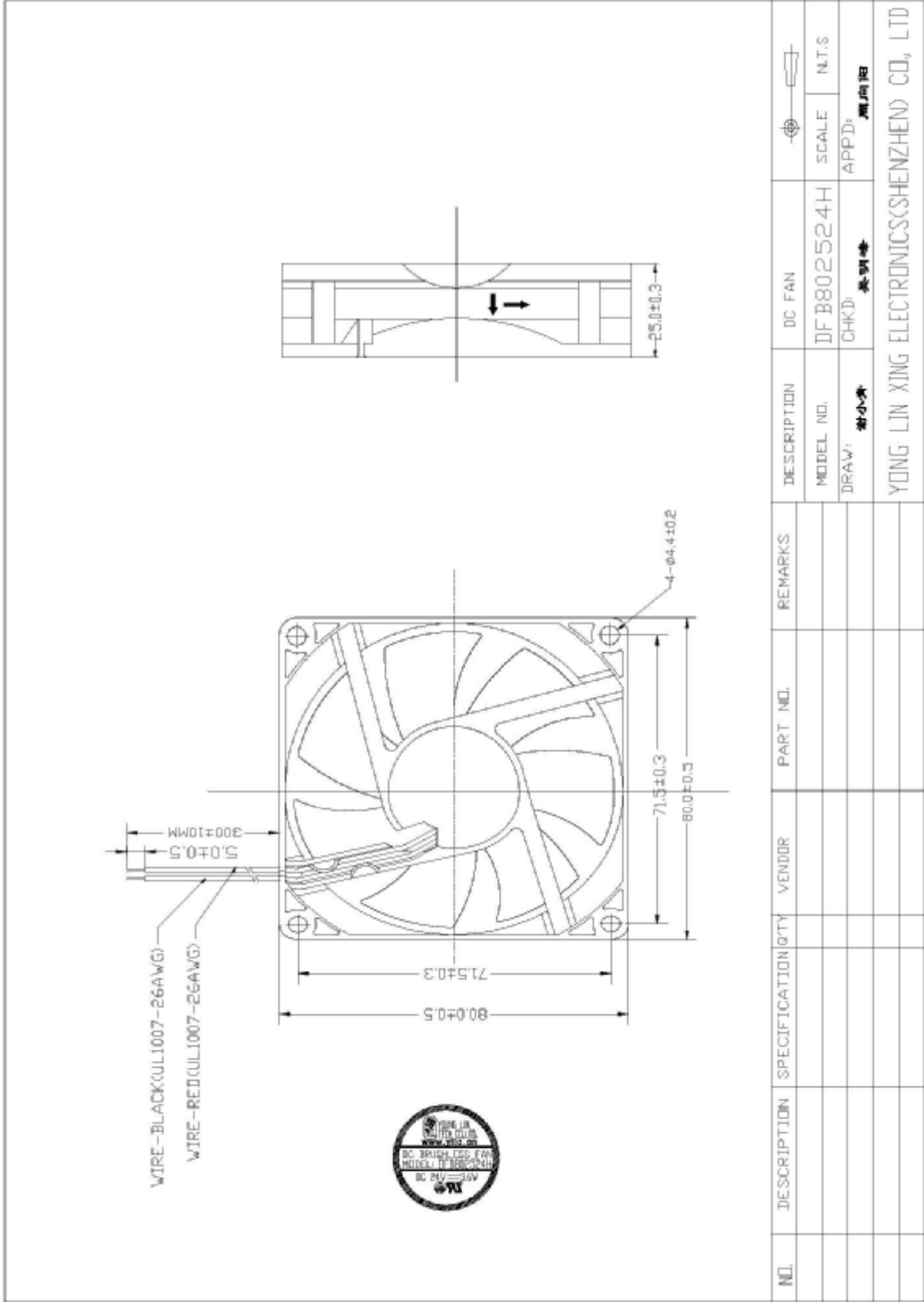
3. 風扇嚴禁掉落地面, 或敲擊外框任何面.

3. Do not drop on the ground. Do not pound on the frame side.



4. 風扇電源需依照規格電壓安裝使用.

4. Connect leads properly and apply voltage according to specification.



NO.	DESCRIPTION	SPECIFICATION	QTY	VENDOR	PART NO.	REMARKS	DESCRIPTION	DC FAN	SCALE	N.T.S
							MODEL NO.	DF B802524H		
							DRAW:	谢小春	CHKD:	吴明峰
							YONG LIN XING ELECTRONICS(SHENZHEN) CO., LTD			
							APPD: 周向阳			

Underwriters Laboratories Inc.
Multiple Recognition Correlation Sheet - CAMAS

Page 4 of 8

Issued: January 28, 2004
Revised:

M/L [600181-001] YOUNG LIN TECH CO LTD
AP [316266-001] XINRUILIAN ELECTRONICS (SHENZHEN) CO LTD (TPI)

Products Covered	Report Date	Basic Applicant's (Supplier's) Product Designation	Multiple Listee's Product Designations
		RD(X)8020(Y)	DFX8020X2X1
		RD(X)8020(Y)2	DFX802024X1
		RD(X)8025(Y)2	DFX802524X1
		RDH8025B1	DFB802512H
		KDH8025S1	DFS802512H
		RDH8025B5	DFB802505H
		RDH8025S5	DFS802505H
		RDH8025B	DFB802512H
		RDH8025S	DFS802512H
		RDM8025B1	DFB802512M
		RDM8025S1	DFS802512M
		RDH8025B5	DFB802505M
		RDM8025S5	DFS802505M
		RDM8025B5	DFS802505M
		RDM8025B	DFB802512M
		RDM8025S	DFS802512M
		RDL8025B1	DFB802512L
		RDL8025S1	DFS802512L
		RDL8025B5	DFB802505L
		RDL8025S5	DFS802505L
		RDL8025B	DFB802512L
		RDL8025S	DFS802512L
		RD(X)9025(Y)2	DFX902524X
		RDH9025B	DFB902512H
		RD(A)7025(B)(E)	DFX7025XXX
		RD(A)8025(B)(F)	DFX8025XXX
		RD(A)2510(B)(C)	DFX2510X2X1
		RD(A)3010(B)(C)	DFX3010X2X1
		RDH9025S	DFS902512H
		RDM9025B	DFB902512M
		RDM9025S	DFS902512M
		RDL9025B	DFB902512L
		RDL9025S	DFS902512L
		RDH9232B	DFB923212H
		RDM9232B	DFB923212M

MARKING: Same as that described in Follow-Up Service Procedure and/or Report except for Multiple Listee's name, ML Tradename, when applicable, and product designation.

UL INSPECTION CENTER SHENZHEN - 750

Zertifikat

Certificate



Zertifikat Nr. *Certificate No.*
R 50037859

Blatt *Page*
0001

Ihr Zeichen *Client Reference*
R3D1210/Sporton

Unser Zeichen *Our Reference*
ZTW1-HYL- 10005136 003

Ausstellungsdatum
09.02.2004

Date of Issue
(day/mo/yr)

Genehmigungsinhaber *License Holder*
Young Lin Tech. Co., Ltd.
No. 175, Hsin I Rd.
Ta Pi Hsiang, Yun Lin Hsien 631
Taiwan, R.O.C.

Fertigungsstätte *Manufacturing Plant*
Hauptzertifikatsinhaber *Original license holder*
342338
Xinruilian Electronics (Shenzhen)
Co., Ltd.

Prüfzeichen *Test Mark*



Geprüft nach *Tested acc. to*
EN 60950:1992+A1+A2+A3+A4+A11

Zertifiziertes Produkt (Geräteidentifikation)
Certified Product (Product Identification)

Lizenzentgelte - Einheit
License Fee - Unit

Ventilator (DC Fan)

Bezeichnung (Type Designation)	: DFXYYZZX2X1 (YL)	1
X steht für (stands for):	S oder (or) B	1
YY steht für (stands for):	40, 45, 50, 60, 80, 90, 97	1
ZZ steht für (stands for):	10, 15, 20, 25, 28, 33	1
X2 steht für (stands for):	05, 12, 24 oder (or) 48	1
X1 steht für (stands for):	H, M oder (or) L	1
Nennspannung (Rated Voltage)	: DC 5V (X2=05) DC 12V (X2=12) DC 24V (X2=24) DC 48V (X2=48)	
Nennstrom (Rated Current)	: siehe Anlage (see appendix)	
Nennleistung (Rated Power)	: siehe Anlage (see appendix)	
Schutzklasse (Protection Class)	: III	



6

Dem Zertifikat liegt unsere Prüf- und Zertifizierungsordnung zugrunde.
Das Produkt entspricht den o.g. Anforderungen, die Herstellung wird überwacht.
This certificate is based on our Testing and Certification Regulation. The product fulfills above-mentioned requirements, the production is subject to surveillance.

Zertifizierungsstelle

TÜV Rheinland Product Safety GmbH, Am Grauen Stein, D-51105 Köln

Tel.:(+49/221)8 06 - 13 71 Fax:(+49/221)8 06 - 39 35 e-mail: Althoff@de.tuv.com

Dipl.-Ing. A. Klinker